

HARMANTM
HOME HEATING

OAKLEAF WOOD STOVE



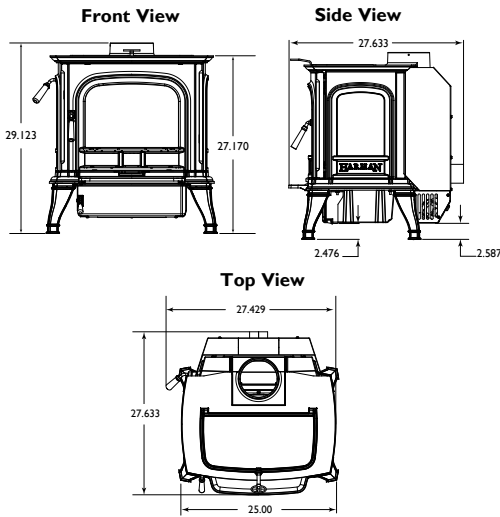
SPECIFICATIONS

OAKLEAF WOOD STOVE

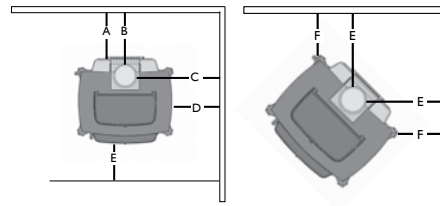
Max. BTUs*	Log Length	Fuel Type	Flue Size	Ship Weight	Width	Height	Depth
35,000	up to 18"	Wood	6"	410 lbs.	25"	27-1/8"	27-5/8"

* BTU output varies depending on the type of wood used.

CLEARANCES AND DIMENSIONS



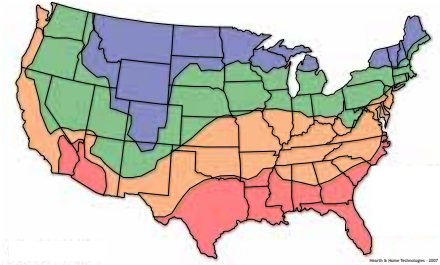
Clearances to Combustibles*



	Single Wall Pipe	
	Top Vent	Rear Vent
A	14	14
B	17.5	17.5
C	26.75	26.75
D	17	17
E	21.75	21.75
F	14	14

**Bottom heat shield option and .45 R floor protection required on combustible flooring

Heating Capacity by Climate Zone†



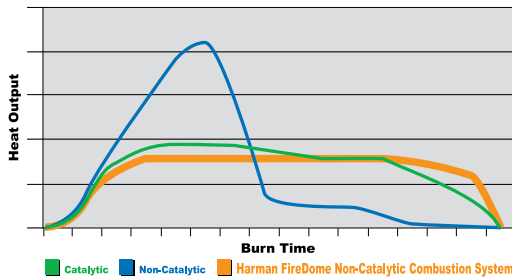
Zone 1	Zone 2	Zone 3	Zone 4
1,429	1,667	2,047	2,536

† Zone measurements in square feet. Heating capacity (in square feet) is a guideline only and may differ slightly due to climate, building construction and condition, amount and quality of insulation, location of the heater, and air movement in the room. Does not take into consideration micro-climates within a zone.

Heating small spaces efficiently

The Oakleaf wood stove features a compact design ideal for smaller spaces. Featuring Harman's exclusive FireDome Combustion Technology, the Oakleaf completely burns the wood delivering high efficiency and low maintenance. The FireDome Combustion system is made of a ceramic refractory material that provides even heat output while maintaining high insulating capabilities.

Offering more features and options, the Oakleaf is designed for convenience. The top load feature allows the maximum amount of wood to be loaded while the large ash pan means less frequent emptying. The well known Harman style of the Oakleaf features quality castings with three finish options. The Oakleaf is sure to bring warmth to any room.



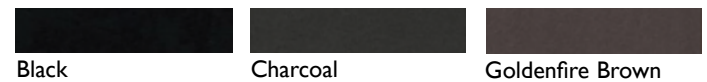
Features

- FireDome Combustion System
- Long burn times with even heat
- Holds up to 18" logs
- Large ash pan
- Top and front loading

Options

- Cooking grill
- 150 cfm blower
- Custom colors
- Bottom heat shield

Finish Options



The Oakleaf has an ash pan with its own ash door that is used to remove ashes while the stove is in operation. This means you can keep a fire all winter if you desire.

Top loading makes adding wood easier and allows the Oakleaf to hold more wood than other stoves of the same size.

The Oakleaf's optional cooking grill allows you to grill your favorite meats and vegetables without altering your home's air quality. Stainless steel grill is easy to remove and clean.

YOUR HARMAN DEALER IS:



352 MOUNTAIN HOUSE ROAD
HALIFAX, PA 17032
WWW.HARMANSTOVES.COM

A BRAND OF
HEARTH & HOME TECHNOLOGIES®

HAR-1205U-0910

Limited Lifetime Warranty[§]

The strongest in the industry, Harman provides a limited lifetime warranty on most important aspects: firebox and heat exchanger.

Actual product appearance, including flame, may differ from image. Tested to: UL 1482, UL 737, ULC 5627-00, Certified for USA and Canada. Product specifications and pricing subject to change without notice. The images and descriptions in this brochure are provided to assist you in product selection only. Refer to installation manual for complete clearance requirements and specifications.

†For full warranty details, visit www.harmanstoves.com