

HARMANTM
HOME HEATING

ADVANCE PELLET STOVE



ADVANCE

INNOVATIVE AND CONVENIENT PELLET STOVE

Decorative Tile (Additional with color options)

Glass Hopper Lid to easily see when it is time to add more fuel

Decorative plated air grilles (optional finish)

Log Set (optional)

Exclusive air wash system keeps door glass cleaner, longer

Hidden latches

Hidden Ash Pan

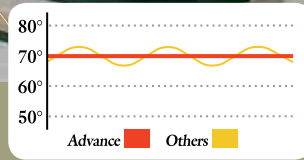
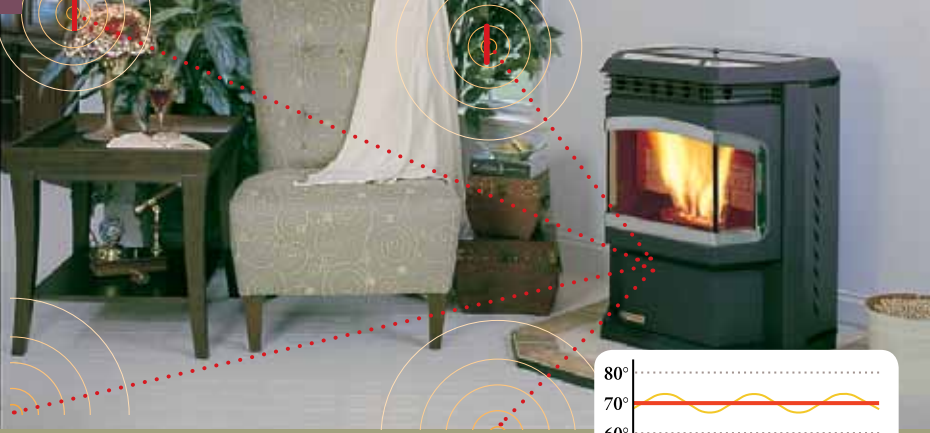


ADVANCE PELLET STOVE

The ultimate in home heating convenience, Harman's Advance pellet stove relies on state-of-the-art technology to automatically adjust itself to your desired room temperature. Simply pour your pellets into the convenient top-loading hopper and set the Advance's temperature dial. If the room temperature drops below the set temperature, the Advance will light itself to increase the temperature.

If the room is much cooler than the set temperature, the Advance will produce a large fire in order to quickly reach the desired temperature. If only a slight increase is needed, the Advance will burn a small fire. This way, no energy is wasted by overshooting your predetermined temperature level.





Temperature control with the Advance helps maintain a consistent room temperature.

ADVANCE FEATURES

Automatic Temperature Control

The Advance's automatic temperature control system eliminates the warm/cold cycle associated with thermostatically controlled heating systems and even turns the Advance on and off as needed.

Glass Hopper Lid

The tinted hopper lid lets you see the amount of pellets in the hopper.

Advance Ignition System

The Advance Ignition System draws air across a specially designed heating element located in the bottom of the burn pot. The air is then heated to the point where it ignites the pellets as they enter the burn pot.

Accordion Heat Exchanger

The Advance's accordion heat exchanger allows a large amount of surface area to be placed in a small area, greatly increasing heat transfer efficiency.

Small Size

The depth of the Advance is only 20-1/2", less than any other pellet appliance regardless of output.

Patented Feeder & Burn Pot

The Advance's bottom feeder system precisely meters pellet fuel into a specially designed burn pot, which can burn all grades of pellet fuel equally well. In addition, the Advance's burn pot allows fuel to be burned at a very low rate.

ADVANCE OPTIONS

Realistic Log Set Our realistic log set offers the look of a traditional wood fire with the convenience of a pellet stove.

Gold or Bright Nickel Plating Choose the finish that best fits your decor. The look of gold or bright nickel plating adds elegance to any room.

Direct Vent Wall Passthrough Kit Incorporates venting pass-through and outside air source into one component.

Decorative Marble Tile Top

Choose from our four marbled tile colors including: cream marble, light brown marble, green marble, and black marble.

TEMPERATURE CONTROL

The secret behind the Harman Advance is its cutting-edge room sensor. Versatile enough to work anywhere in the room, this tiny sensor sends readings directly to the Advance's microprocessor, ensuring that your room temperature will remain constant without the fluctuations that occur with other brands of stoves.

CONSTANT COMFORT

After your set temperature is achieved, it is constantly monitored by a sensing probe. If the temperature in the room drops even slightly, the Advance will increase its flame level. If an outside door is opened and the room temperature drops rapidly, the Advance will increase its fire in proportion to the temperature drop. And, if the outside temperature rises and no heat is needed, the Advance will automatically shut down but continue to monitor the room temperature in case it drops again.

QUALITY CONTROL

In addition to adjusting temperature levels, the Advance will automatically adjust itself for fuel quality. An ESP (Exhaust Sensing Probe) analyzes the output of the fuel being burned and adjusts the feed rate accordingly to increase the stove's efficiency.

EASY OPERATION

Easy viewing and loading of the pellets and an oversize ash pan make the Advance easy to operate.

Top Loading



Glass Hopper Lid



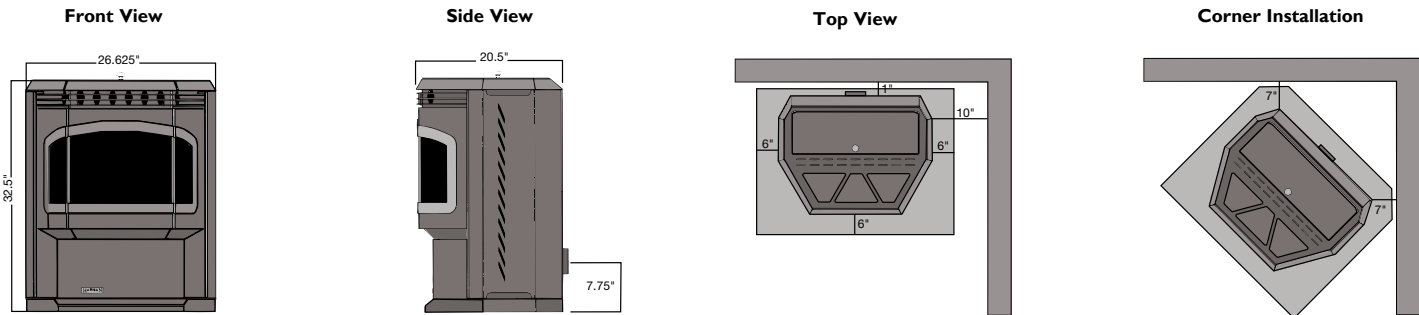
Oversize Ash Pan



SPECIFICATIONS

ADVANCE PELLET STOVE	BTU Range	Hopper Capacity	Fuel Type	Blower Size	Outside Air Size	Fuse Rating	Weight	Height	Width	Depth	Venting Size	Feed Rate
	0 - 48,000	60 lbs.	Wood Pellets	135 cfm	2-3/8"	5 amp	250 lbs.	32-1/2"	26-5/8"	20-1/2"	3" Pellet Vent Pipe	3/4 lbs./hr Min. 6 lbs./hr Max.

CLEARANCES AND DIMENSIONS



CLEARANCE TO COMBUSTIBLES	Rear	Side	Front	Center of Flue to Floor
	1"	10"	36"	7.75"

Heat Your Home with Wood Pellets

Wood pellets have become a popular form of heat because they are environmentally friendly, extremely clean burning, and cost-effective.



Wood pellets are made of wood by-products (such as sawdust, wood chips, and other wood waste products) of varying qualities. These by-products are run through a pelletizing machine that produces pellets measuring approximately 1/4" diameter by 3/4" long. Pellets can vary in cost, depending on the quality and ash content. They are packaged in 40-lbs. bags for easy handling.

The Harman Advantage

The Advance Pellet Stove will burn any grade of pellet at maximum efficiency and keep your home at your desired temperature.

Not only can the Advance burn pellets with optimal efficiency and cleanliness, it does it automatically. The Advance automatically lights its own fire and burns at the correct output to maintain the desired room temperature. When no heat is required, the Advance will shut-down and reignite when the demand for heat returns.

Just fill the hopper with pellets and set the desired temperature. Aside from cleaning and basic maintenance, the stove will do the rest. The stove will do the rest.

Limited Lifetime Warranty**

The strongest in the industry, Harman provides a limited lifetime warranty on the most important aspects: firebox and heat exchanger.

YOUR HARMAN DEALER IS:



352 MOUNTAIN HOUSE ROAD
HALIFAX, PA 17032
WWW.HARMANSTOVES.COM

A BRAND OF HEARTH & HOME TECHNOLOGIES®

Actual product appearance, including flame, may differ from image. Tested by OMNI-Test Laboratories/UL 1482 ASTM E1509 OREGON 814-23-900 ULC-S627, WH-PN 025

**For full warranty details, visit www.harmanstoves.com

Product specifications and pricing subject to change without notice. The images and descriptions in this brochure are provided to assist you in product selection only.
*Heating capacity is a guideline only and may differ slightly due to climate, building construction and condition, amount and quality of insulation, location of the heater and air movement in the room. Refer to installation manual for complete clearance requirements and specifications.